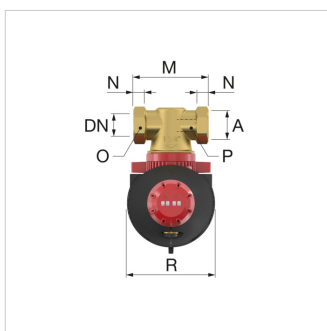
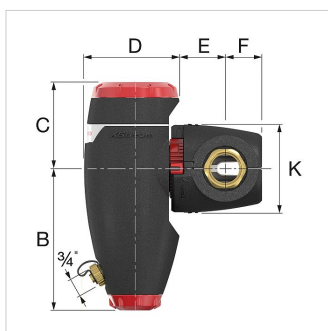


Product Datasheet (2020-04-20)

11041 - XStream Clean 22



Omschrijving	XStream Clean 22	
Artikel	11041	
Model	Flamco XStream Clean	
Aansluiting	[DN]	20
	(A)	22 mm
K_v^* [m ³ /h] (ECO)	15,6	
K_v^* [m ³ /h] (MAX)	4,1	
Gewicht [kg]	1,3	



Verpakkingsinformatie

Gebruikseenheid 1 Stuk

Algemene classificatie data

Product Name	XStream Clean (DN20) K22
Merk	Flamco
Product Series	Flamco XStream Clean
Product Type	K 22K 22

Type	Afmetingen										
	B [mm]	C [mm]	D [mm]	E [mm]	F [mm]	K [mm]	M [mm]	N [mm]	O [mm]	P [mm]	R [mm]
XStream Clean 22	149	98	106	44	41	102	119	24	32	24	114
XStream Clean $\frac{3}{4}$ F	149	98	106	44	41	102	100	14	32		114
XStream Clean 1 M	149	98	106	44	41	102	100	13		27	114
XStream Clean 1 F	181	110	121	53	45	114	110	16	41		130

Type	Afmetingen										
	B [mm]	C [mm]	D [mm]	E [mm]	F [mm]	K [mm]	M [mm]	N [mm]	O [mm]	P [mm]	R [mm]
XStream Clean 1 ¹/₄ M	181	110	121	53	45	114	110	14		34	130
XStream Clean 1 ¹/₄ F	181	110	125	57	48	114	110	18	50		130
XStream Clean 1 ¹/₂ F	208	124	139	62	51	132	129	18	55		145
XStream Clean 2 F	208	124	139	65	58	132	140	23	70		145

Flamco Group
 P.O. Box 502
 3750 GM, Bunschoten - nl
T +31 33 299 75 00
F +31 33 298 64 45
E info@flamcogroup.com
I <https://flamcogroup.com>