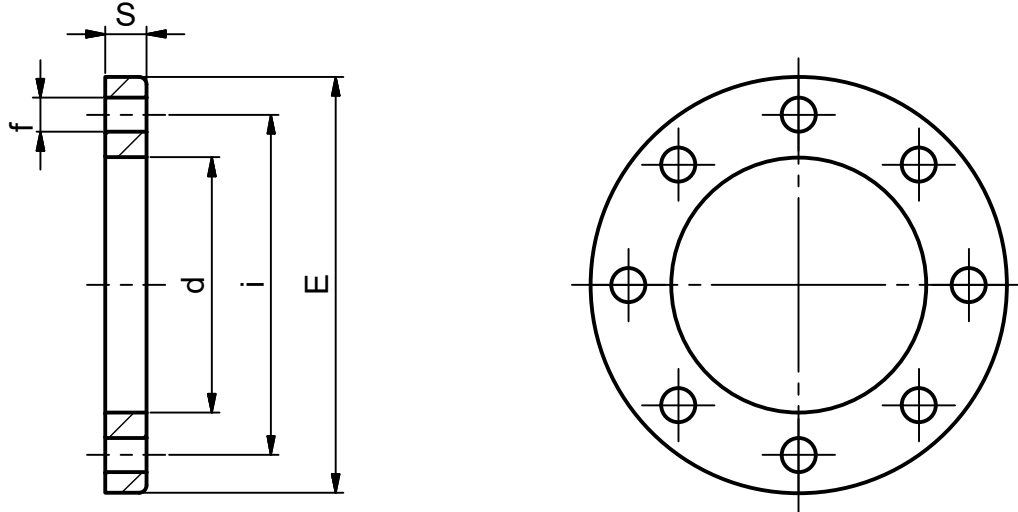


PVC-U flangia libera UNI EN 1092 PFA10/16
PVC-U backing ring drilled to UNI EN 1092 NP10/16



D	DN	d	E	S	i	f	holes nr.	Code
20	15	28	95	11	65	14	4	RDRFLD0200
25	20	34	105	12	75	14	4	RDRFLD0250
32	25	42	115	14	85	14	4	RDRFLD0320
40	32	51	142	15	100	18	4	RDRFLD0400
50	40	62	152	16	110	18	4	RDRFLD0500
63	50	78	165	18	125	18	4	RDRFLD0630
75	65	92	185	19	145	18	4	RDRFLD0750
90	80	110	200	20	160	18	8	RDRFLD0900
110	100	135	220	22	180	18	8	RDRFLD1100
125	110	149	230	24	190	18	8	RDRFLD1250
140	125	167	250	26	210	18	8	RDRFLD1400
160	150	190	285	28	240	22	8	RDRFLD1600
200	200	235	340	30	295	22	8	RDRFLD2000
225	200	250	340	30	295	22	8	RDRFLD2250
250	225	280	395	34	350	22	12	RDRFLD2500
280	250	309	396	30	350	22	12	RDRFLD2800
315	300	349	449	31	400	22	12	RDRFLD3150
355	350	388	511	34	460	22	16	RDRFLD3550
400	400	438	572	34	515	25	16	RDRFLD4000

Polypipe

Polypipe Italia

Polypipe Italia s.r.l. Tel: +39 0185 92399
Loc. Pianmercato 5C-5D E-mail: info@polypipeitalia.com
16044 Cicagna (GE) www.polypipeitalia.com
Italy

EFFAST

Projection - third angle unless specified otherwise
TOLERANCE
DIN 16901

PRODUCT CODE
RDRFLD0200 ÷ RDRFLD4000

TITLE
PVC-U backing ring UNI EN 1092 NP10/16

STATUS Definitive	
DATE Oct 2017	DRAWN BY AR
ORIGINAL SIZE A4	SCALE ---
SHEET no. 1 of 1	
APPROVED by RD	REV. 00